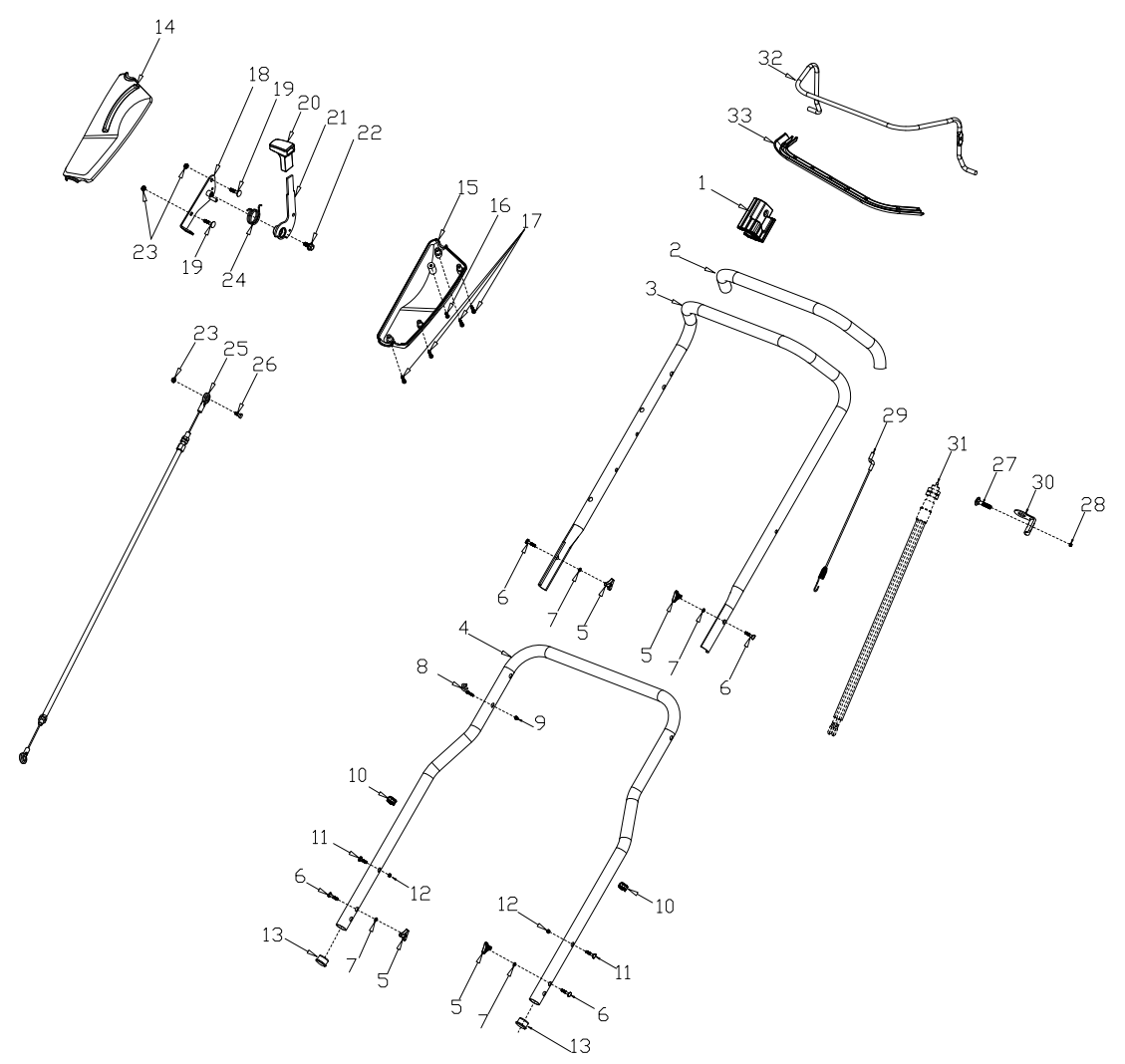
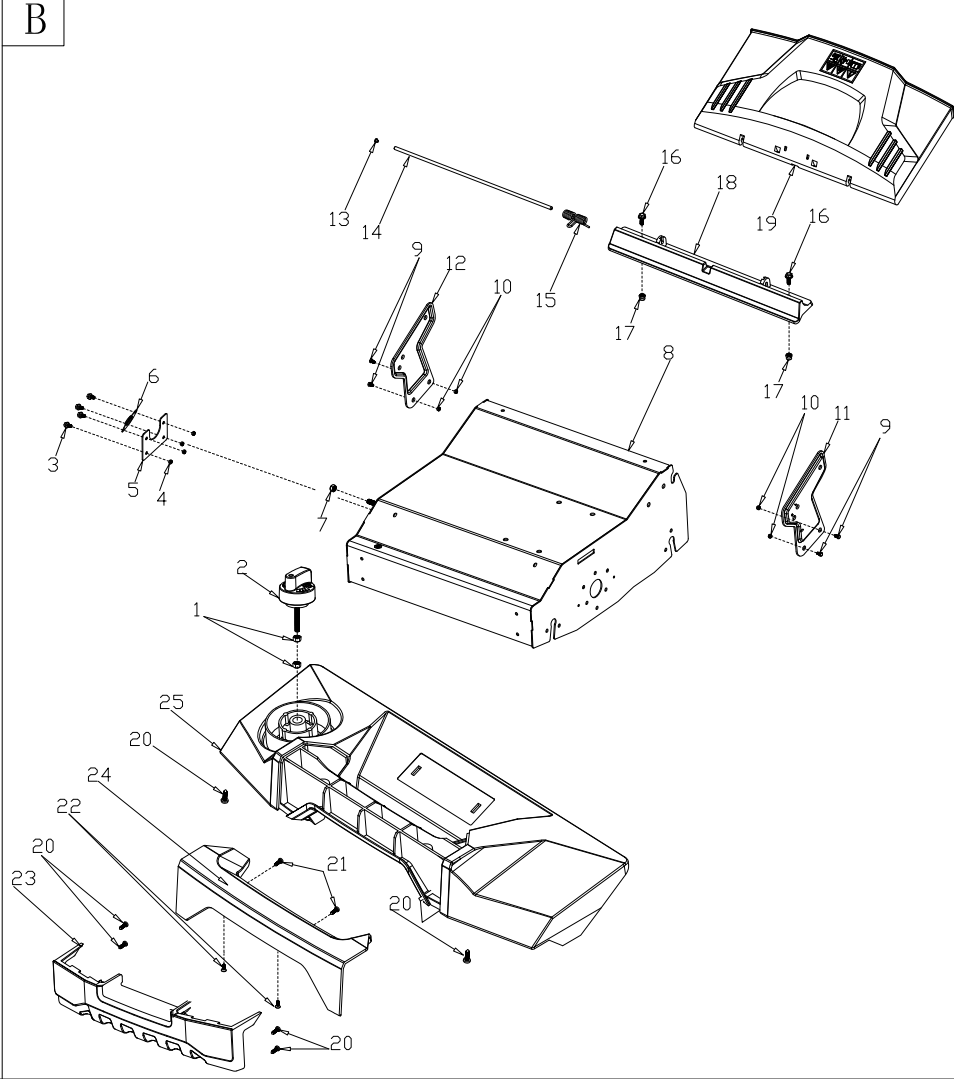


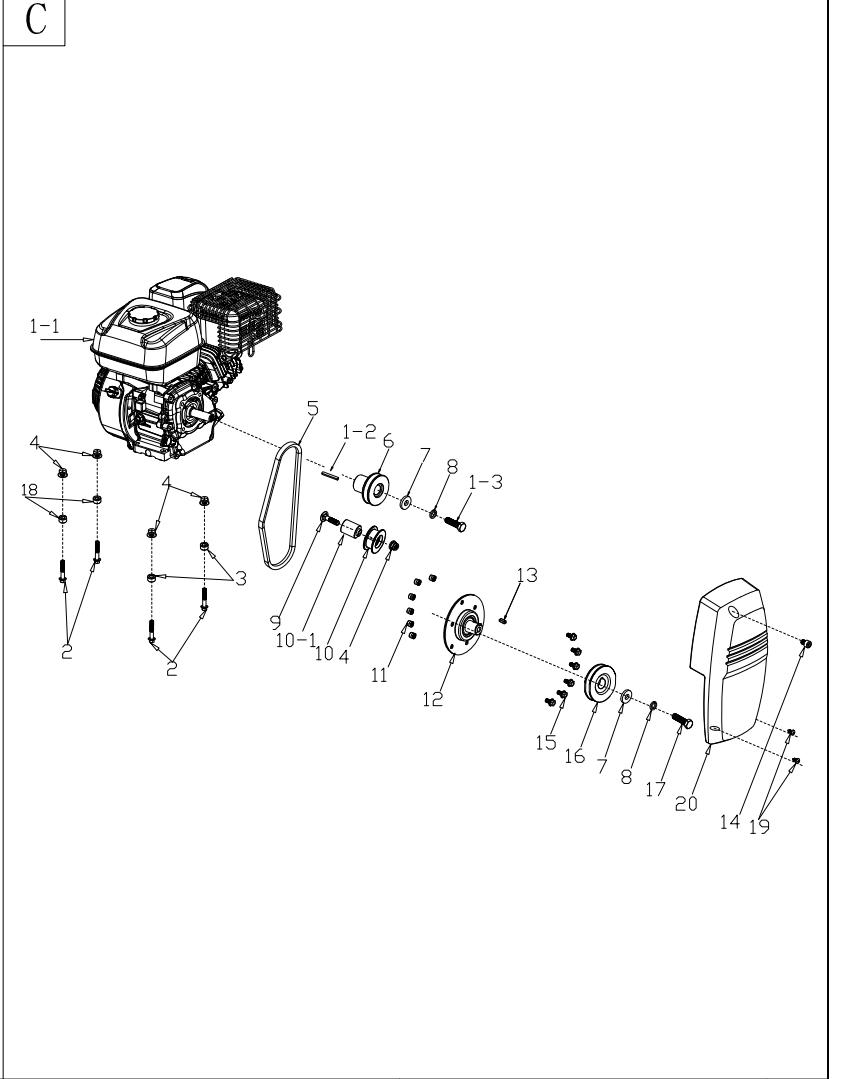
A



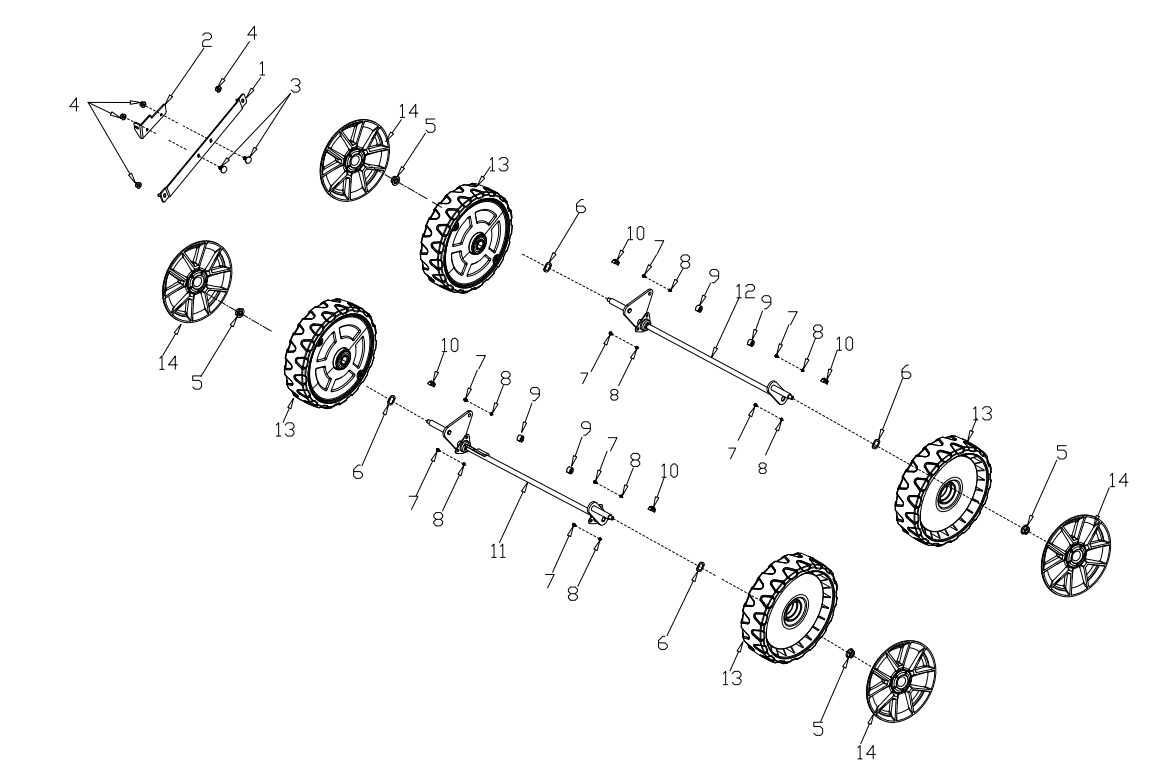
B



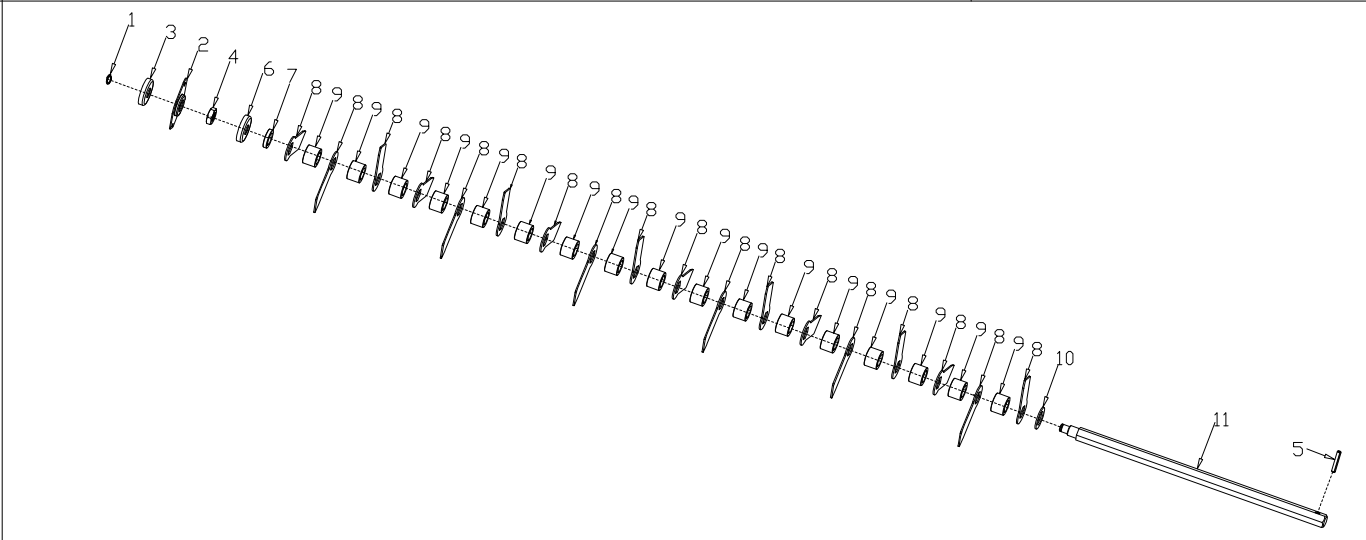
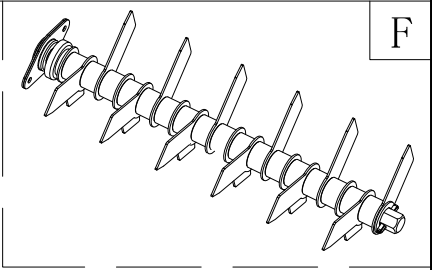
C



D

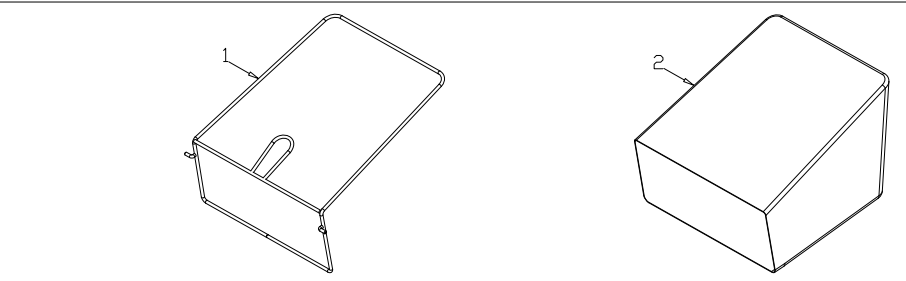


F

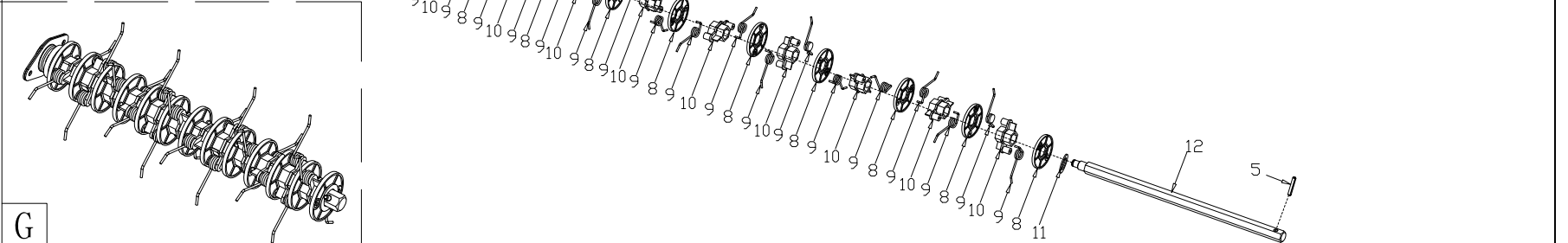


Model: Pro Cut 411TG 2i1  
 Part Number: 90066493  
 Year: 2025

E



G



POS	QTY	PARTNUMBER	BESKRIVELSE	DESCRIPTION
A-01	1	428853	BESLAG MED STOP FOR BØJLER	BRACKET
A-02	1	419232	SOFTGRIP	HANDLE
A-03	1	442530	STYR	UPPER HANDLE
A-04	1	442358	NEDRE STYR	LOWER HANDLE
A-05	4	439369	FINGERSKRUE MØRK SØLV	KNOB
A-06	4	427152	BRÆDDEBOLT M8X50	BOLT M8X50
A-07	4	419242	SKIVE 8.5X16X1.54	WASHER 8.5X16X1.54
A-08	1	419237	HOLDER FOR STARTSNOR	HOLDER
A-09	1	419337	LÅSEMØTRIK M6	LOCKING NUT M6
A-10	2	428883	KABELHOLDER/CLIPS PLAST	CABLE HOLDER
A-11	2	419245	BOLT M8X35	BOLT M8X35
A-12	2	419246	MØTRIK M8	NUT M8
A-13	2	419247	PROP	PLUG
A-14	1	442531	COVER	UPPER COVER OF OF HANDRAIL BOX
A-15	1	442537	COVER	LOWER COVER OF OF HANDRAIL BOX
A-16	1	439973	SKRUE	SCREW
A-17	4	442538	SKRUE 3.5X25	SCREW
A-18	1	442532	BESLAG	HANDLE BASE PLATE ASSEMBLY
A-19	2	442533	BOLT M6X30	SCREW
A-20	1	432453	GREB PLASTIK	PLASTIC GRIP
A-21	1	442534	GASARM	HEIGHT ADJUSTMENT HANDLE
A-22	1	419350	STÅLBOLT M6X12	STEEL BOLT M6X12
A-23	3	419273	MØTRIK M6	NUT M6
A-24	1	442535	FJEDER	HEIGHT ADJUSTMENT SPRING
A-25	1	442346	KABEL FOR HØJDEJUSTERING	HEIGHT ADJUSTMENT CABLE
A-26	1	442536	BOLT	BOLT
A-27	1	442533	BOLT M6X30	SCREW
A-28	1	421786	TOPMØTRIK 8.8 FZB M6	CAP NUT M6
A-29	1	442345	STOPKABEL	BRAKE CABLE
A-30	1	442539	PLADE	FIXED PLATE
A-31	1	442348	FJEDERKABEL	BRAKE LINE
A-32	1	448021	BØJLE FOR STOP	BRAKE LEVER
A-33	1	436614	PLASTHÅNDTAG	PLASTIC DECORATION
B-01	2	419240	MØTRIK M8	NUT M8
B-02	1	442357	HÅNDTAG	SCREW (KNOB)
B-03	4	419270	BOLT M6X14	BOLT M6X14
B-04	4	419273	MØTRIK M6	NUT M6
B-05	1	442545	BESLAG	NUT
B-06	1	453897	COVER	COVER
B-07	1	419246	MØTRIK M8	NUT M8
B-08	1	453898	KLIPPESKJOLD	DECK
B-09	4	419276	BOLT M8X15	BOLT M8X15
B-10	4	439963	MØTRIK M8	NUT
B-11	1	419275	STYRHOLDER VENSTRE VENSTRE	GUIDE HOLDER VENSTRE

POS	QTY	PARTNUMBER	BESKRIVELSE	DESCRIPTION
B-12	1	419299	STYRHOLDER HØJRE	GUIDE HOLDER
B-13	1	421741	HÆTTE	HOOD
B-14	1	442547	AKSEL	REAR COVER SHAFT
B-15	1	442548	FJEDER	REAR COVER SPRING
B-16	2	419270	BOLT M6X14	BOLT M6X14
B-17	2	419273	MØTRIK M6	NUT M6
B-18	1	442549	COVER	PEDESTAL OF REAR COVER
B-19	1	442550	SKÆRM	REAR COVER
B-20	6	419316	SKRUE 4X15	SCREW 4X15
B-21	2	442541	SKRUE 4.8X19	SCREW
B-22	2	428877	SKRUE ST4,2X15	SCREW ST4,2X15
B-23	1	442540	SKÆRM	SCREW
B-24	1	453899	HÅNDTAG COVER	FRONT HANDLE COVER
B-25	1	453900	FRONT COVER	UPPER COVER
C-01-1	1	TG725X	TG725X	
C-01-2	1	419289	NOT	NOT
C-01-3	1	453902	BOLT	BOLT
C-02	4	419376	BOLT	BOLT
C-03	2	453903	BØS	BUSH
C-04	5	439963	MØTRIK M8	NUT
C-05	1	451022	REM	BELT
C-06	1	442350	REMSKIVE	PULLEY WHEEL
C-07	2	434652	SKIVE 8.5X24X2	WASHER
C-08	2	452932	SKIVE 8	SPRING WASHER
C-09	1	442554	BOLT M8X45	BOLT
C-10	1	422949	REMHJUL	BELT WHEEL
C-10-1	1	453904	BØS REMSKIVE	PULLEY BUSH
C-11	6	419273	MØTRIK M6	NUT M6
C-12	1	453905	REMSKIVE	PULLEY
C-13	1	453906	NOT	FLAT KEY
C-14	1	453907	SKRUE	SCREW
C-15	6	419270	BOLT M6X14	BOLT M6X14
C-16	1	453908	REMHJUL	BELT WHEEL
C-17	1	440006	BOLT	BOLT
C-18	2	453909	BØS	BUSH
C-19	2	442541	SKRUE 4.8X19	SCREW
C-20	1	442349	REMSKÆRM	BELT COVER
D-01	1	442561	STANG	NUT
D-02	1	442560	BESLAG	FIXED PLATE
D-03	2	442562	BOLT M6X15	SCREW
D-04	4	419295	MØTRIK M6	NUT M6
D-05	4	419256	MØTRIK M8	NUT M8
D-06	4	419251	FJEDERSKIVE	SPRING COLLAR
D-07	8	419350	STÅLBOLT M6X12	STEEL BOLT M6X12
D-08	8	419273	MØTRIK M6	NUT M6
D-09	4	453422	BØS	BUSH
D-10	4	440221	AFSTANDSBØS	SHAFT SLEEVE
D-11	1	442559	AKSEL	SHAFT
D-12	1	442558	AKSEL	SHAFT
D-13	4	452682	HJUL 8"	WHEEL

POS	QTY	PARTNUMBER	BESKRIVELSE	DESCRIPTION
D-14	4	465072	NAVKAPSEL 8"	J TYPE WHEEL COVER
E-01	1	442563	BØJLE	METAL BRACKET
E-02	1	442356	OPSAMLERPOSE	FABRIC BAG
F	1	442344	RULLE MED KNIVE	BLADE ROLL ASSY
F-01	1	419266	SEEGERRING U12	RETAINER RING U12
F-02	2	442564	BESLAG	COVER
F-03	1	434599	LEJE 6201-2RS	BEARING
F-04	1	442565	MØTRIK M16	NUT
F-05	1	442566	SKIVE	WASHER
F-06	1	442567	DÆKSEL	COVER
F-07	1	442568	SKIVE	WASHER
F-08	18	442569	KNIV	BLADE
F-09	17	442570	FJEDER	BLADE BUSH
F-10	1	442571	SKIVE	WASHER
F-11	1	442572	AKSEL	SHAFT
F-12	1	442573	PIND	PIN
G	1	442343	RULLE MED FJEDRE	SPRING ROLL
G-01	1	419266	SEEGERRING U12	RETAINER RING U12
G-02	2	442564	BESLAG	COVER
G-03	1	434599	LEJE 6201-2RS	BEARING
G-04	1	442565	MØTRIK M16	NUT
G-05	1	442566	SKIVE	WASHER
G-06	1	442567	DÆKSEL	COVER
G-07	1	442568	SKIVE	WASHER
G-08	13	442574	SKIVE	CLAPBOARD
G-09	24	442355	FJEDER TIL MOSRULLE	SPRING
G-10	12	442575	AFSTANDSSTYKKE	SPRING BASE
G-11	1	442571	SKIVE	WASHER
G-12	1	442572	AKSEL	SHAFT
G-13	1	442573	PIND	PIN